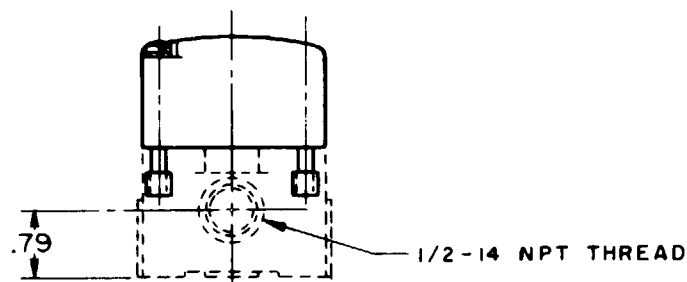
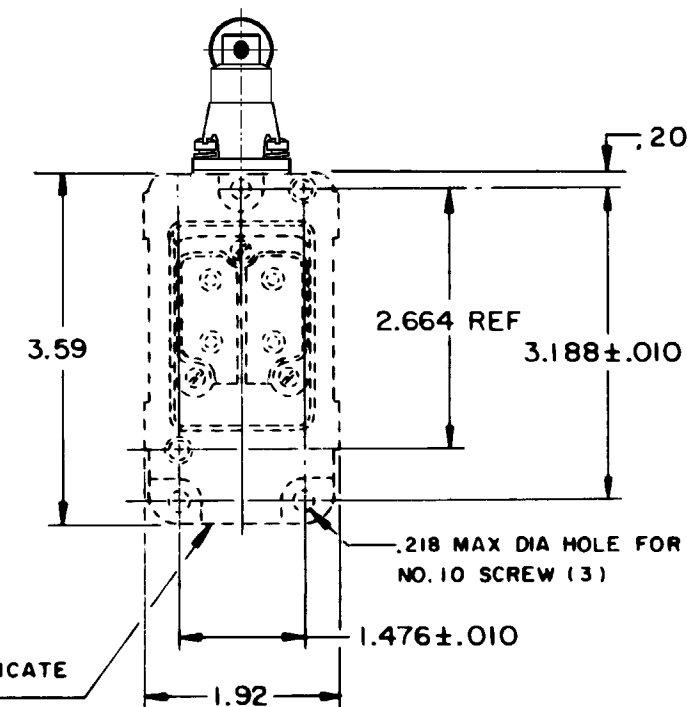
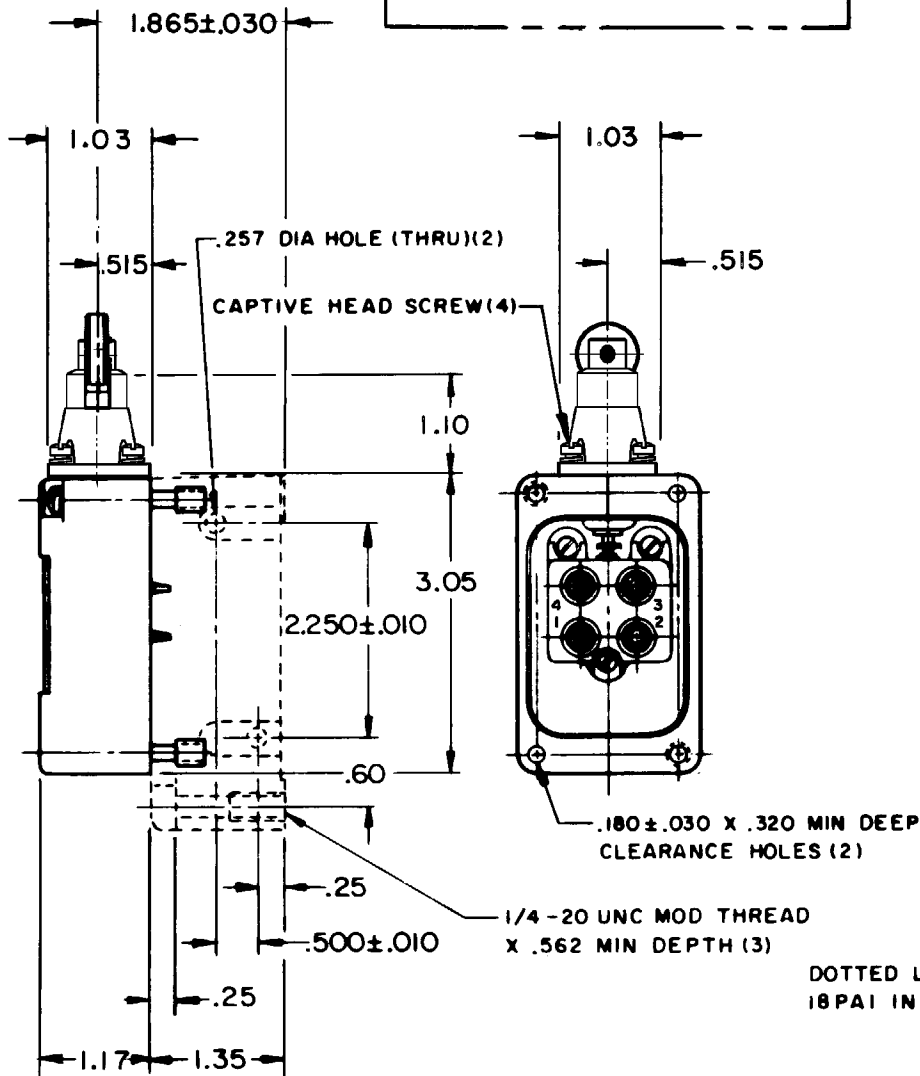
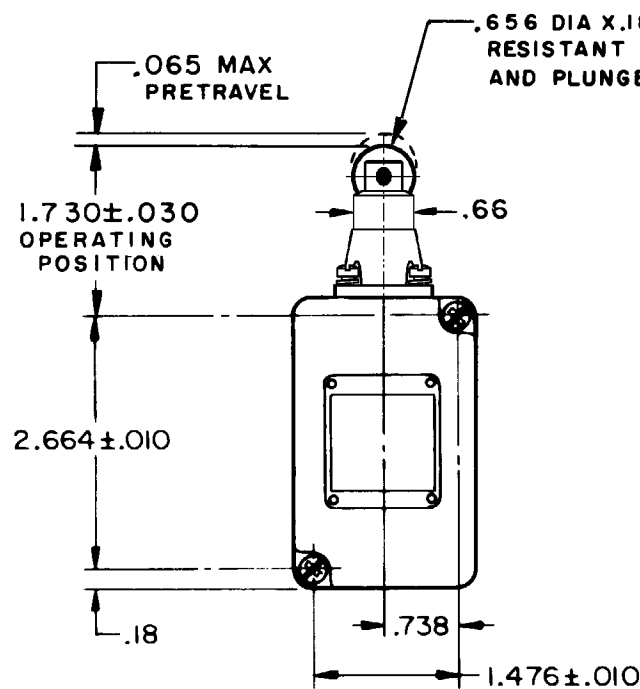
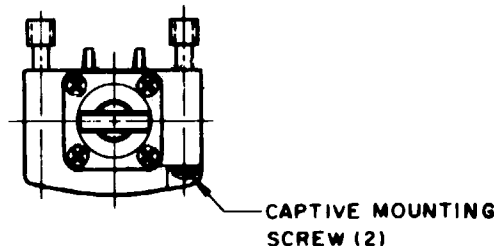
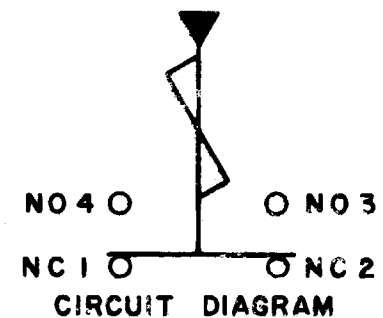


**H MICRO SWITCH**  
 FREEPORT, ILLINOIS, U.S.A.  
 A DIVISION OF HONEYWELL  
 FED. MFG. CODE 91929

**SWITCH - ENCLOSED**

CATALOG LISTING  
**205LS1**



DOTTED LINES INDICATE 18PA1 IN PLACE

NOTE -

1 - ROLLER ASSEMBLY MAY BE RE-ASSEMBLED 90° FROM POSITION SHOWN

THIS DRAWING COVERS A PROPRIETARY ITEM AND IS THE PROPERTY OF MICRO SWITCH, A DIVISION OF MINNEAPOLIS-HONEYWELL REGULATOR CO. THIS DRAWING IS NOT TO BE COPIED OR USED WITHOUT THE APPROVAL OF MICRO SWITCH.

CHARACTERISTICS	ELECTRICAL DATA	SCALE 1/2 TO 1
OPERATING FORCE --- 7 LB MAX (B)	CONTACT ARRANGEMENT (SEE CIRCUIT DIAGRAM)	DO NOT SCALE PRINT
RELEASE FORCE --- 2 LB MIN	10A-120, 240, OR 480 VAC, 1/3 HP - 120 VAC 3/4 HP - 240 VAC; 0.8A - 115 VDC; 0.4A - 230 VDC .1A - 550 VDC PILOT DUTY: 600 VAC MAX	UNLESS OTHERWISE NOTED DIMENSIONS ARE IN INCHES TOLERANCES ARE: ONE PLACE (.0) ± .030 TWO PLACE (.00) ± .015 THREE PLACE (.000) ± .005 ANGLES ±
DIFFERENTIAL TRAVEL --- .020 MAX		WEIGHT
OVERTRAVEL --- .219 MIN		
RELEASE TRAVEL --- .015 MIN		
SWITCH-BASIC REPLACEMENT --- 2MN6		

205LS1

M

DRAWING NUMBER

ISSUE 3 7

REVISIONS

A CO15200

M B F

22 JUNE 65

B CO24612

M B F

15 OCT 68

C CO2852

M B F

24 APR 69

D CO-77031

J D B

22 DEC 93

E 204982

GRT

11 MAR 02

FO-10378-003

DRAWN

M B F 22 JUNE 65

CHECK

LD

24 JUN 65

CHECK

WRA

24 JUN 65

CHECK

WCS

24 JUN 65

CHECK

RELEASE NO.

24 JUN 65

REPLACES